

DO-ALL LOC NAIL

SPECIFICATIONS

SHINGLE OR BASE SHEET ATTACHMENT TO GYPSUM BOARD ROOFDECKS

COMPOSITION

Fastener: Precision formed one-piece steel construction featuring dual serrated legs with sharp angular points. Available in zinc plated or stainless steel for superior corrosion resistance.

Cap: Precision formed zinc plated steel, 1.625" diameter. Use with Do-All Loc-Nail for base sheet attachment.

TECHNICAL DATA

Approvals: Approved and specified for shingle attachment to Loadmaster roofdeck assemblies.

Fastening Pattern: Consult deck and shingle/membrane manufacturer requirements for recommended pattern in normal, exposed, and hurricane areas. Typical shingle attachment uses 6 Do-Alls per shingle.

Field Testing: On-site withdrawal testing should always be performed to evaluate the ability of the roofing substrate to satisfactorily accept and retain fasteners. Such testing may alter fastener selection and modify applicable fastening patterns.

WARNING: In pressure treated lumber, only use stainless steel Do-All Loc-Nails.

INSTALLATION

Equipment: Use an ordinary roofer's hammer. No special tools required.

Method: Drive Do-All Loc-Nail as an ordinary nail. DO NOT TOE. Seat head/cap flush with roofing surface (see illustration).

Operation: As Do-All Loc-Nail is driven, dual legs diverge and serrations grip substrate. No pre-drilling is required. Uplift resistance may vary depending on the density and integrity of the substrate.

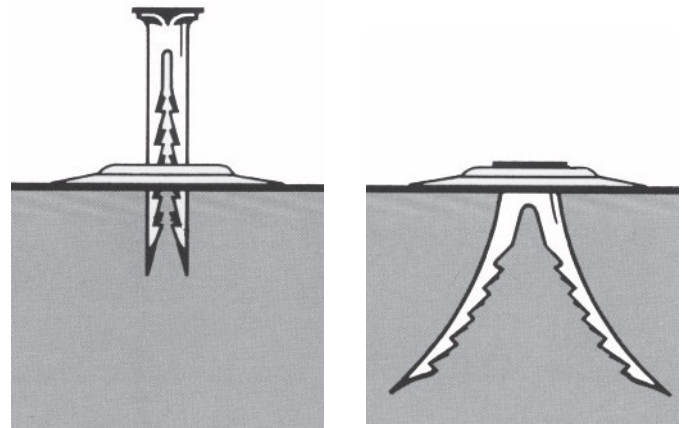
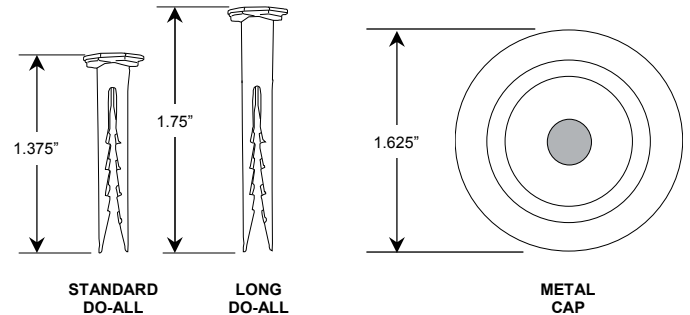
Availability: Do-All Loc-Nail is a patented product manufactured only by ES Products, Inc. and distributed by leading roofing material and equipment wholesalers throughout the United States.

Packaging: 2,500 Do-All Loc-Nails per carton. Shipping weights: 1.375" - 13 lbs; 1.75" - 16 lbs. Master Carton of 1.375" contains 10,000 fasteners (4 cartons). Shipping weight: 52 lbs.

PROUDLY MADE IN THE U.S.A.

Warranty: ES Products, LLC warrants its products for one year from date of sale against defective workmanship and material, and its liability therefore shall be limited to replacing defective products reported defective during the warranty period. ES Products is not responsible for any failure attributable to improper use or installation in any manner inconsistent with manufacturer's specifications. THIS WARRANTY IS IN LIEU OF ANY OTHER WARRANTY, EXPRESS OR IMPLIED, ALL OF WHICH ARE EXPRESSLY DISCLAIMED INCLUDING ANY WARRANTY OF MERCHANTABILITY AND ANY WARRANTY OF FITNESS FOR PARTICULAR USE. This warranty provides specific legal rights and remedies that may vary from state to state.

2 LENGTHS:
STANDARD 1.375"
LONG 1.75"



As Do-All Loc-Nail is driven, dual legs diverge and serrations grip substrate. No pre-drilling required.



Approved and specified for shingle application to Loadmaster Roofdeck Assemblies.

ESPRODUCTS

280 Franklin Street • Bristol, RI 02809
800-493-ROOF (7663) • esproducts.com